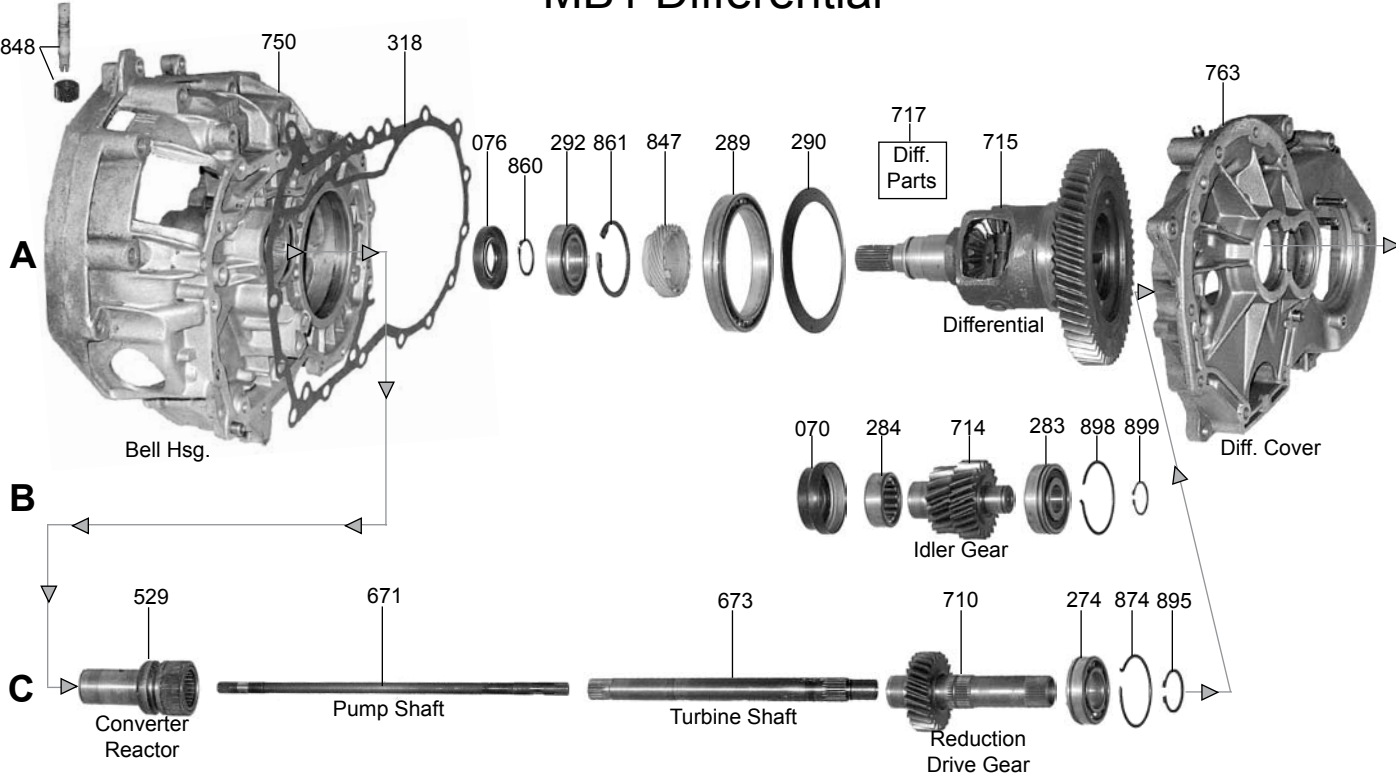


## MB1 Differential



**D**

**E**

